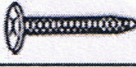




ASSEMBLY INSTRUCTION

P1	 3.5x50mm	8pcs
P2	 3.5x35mm	8pcs
P3	 3x20mm	4pcs

